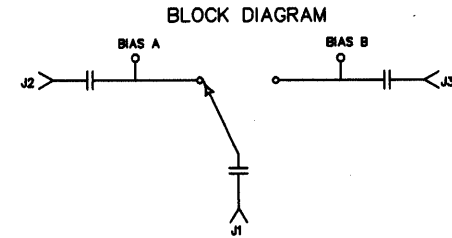
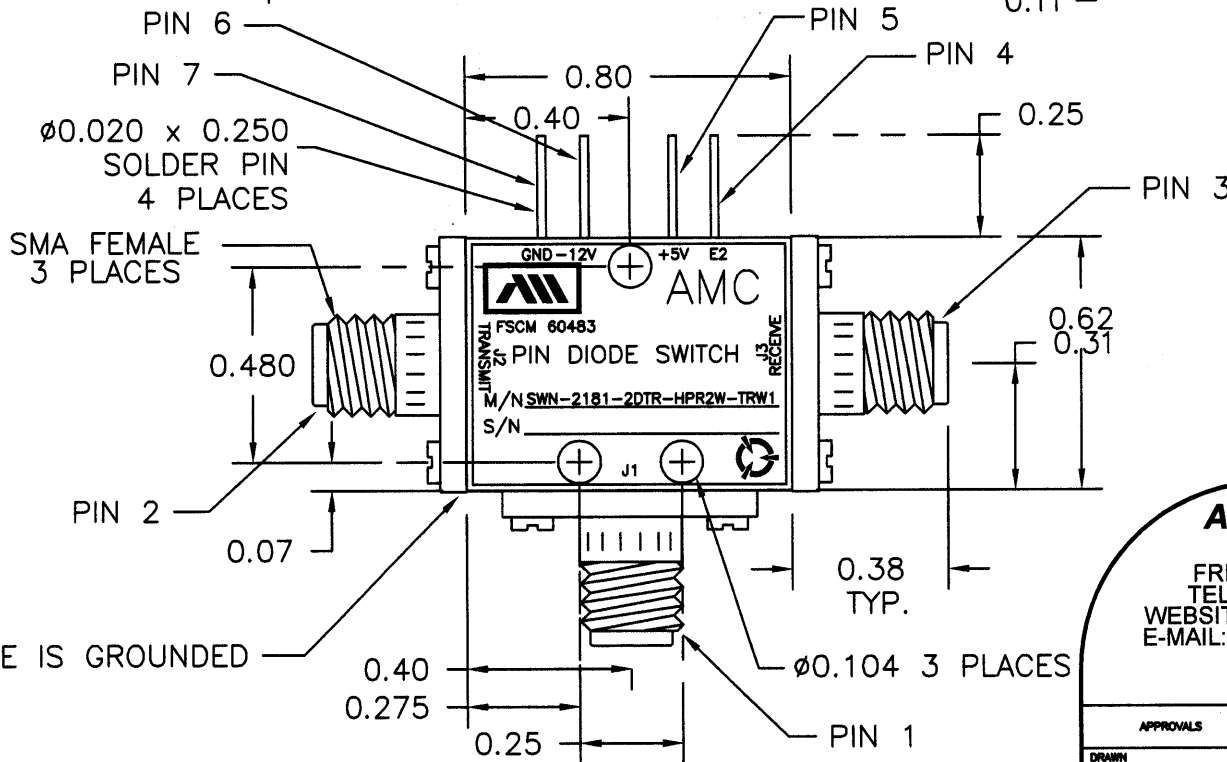
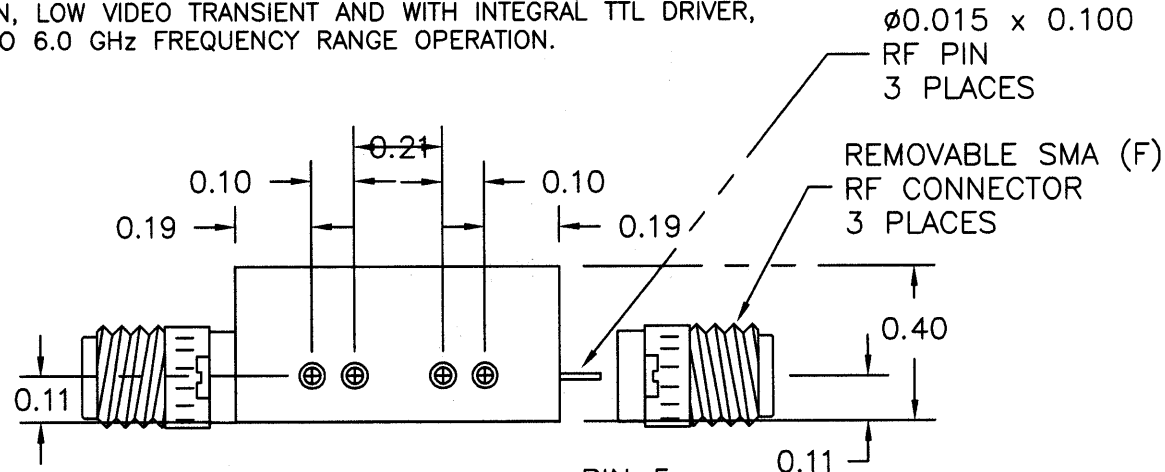


# DESCRIPTION

AMC MODEL SWN-2181-2DTR-HPR2W-TRW1 IS A SINGLE POLE TWO THROW, HIGH POWER (2 WATTS) REFLECTIVE T/R SWITCH MODULE WITH VERY LOW INSERTION LOSS, HIGH ISOLATION, LOW VIDEO TRANSIENT AND WITH INTEGRAL TTL DRIVER, DESIGNED FOR 5.6 TO 6.0 GHz FREQUENCY RANGE OPERATION.

REVISIONS				
ZONE	REV.	DESCRIPTION	DATE	APPROVED
	-	ORIGINAL JOB# 810213E	08/05/98	ETC

## MECHANICAL OUTLINE



## AMERICAN MICROWAVE CORPORATION

7311-G GROVE ROAD  
 FREDERICK, MARYLAND 21704 USA  
 TEL: 301-662-4700 FAX: 301-662-4938  
 WEBSITE: [www.americamicrowavecorp.com](http://www.americamicrowavecorp.com)  
 E-MAIL: [sales@americamicrowavecorp.com](mailto:sales@americamicrowavecorp.com)  
 ISO 9001:2000 CERTIFIED



APPROVALS				DATE		TITLE		
DRAWN WSP				08/05/98		MECHANICAL OUTLINE		
REDRAWN 828				10/06/04		SWN-2181-2DTR-HPR2W-TRW1		
ISSUED LA				02/06/04		SOLID STATE SWITCH		
SIZE	FSCM NO.	DWG NO.	REV.					
A	60483	100-4428-3	-					
SCALE N:S						SHEET 2 OF 3		

ALL DIMENSIONS ARE IN INCHES  
 TOLERANCES:  
 X.XX ±0.020  
 X.XXX ±0.010

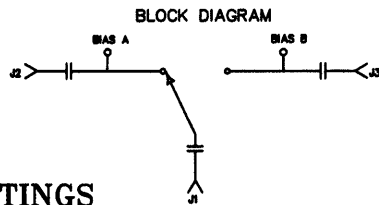
CASE IS GROUNDED

## DESCRIPTION

AMC MODEL SWN-218-2DTR-HPR2W-TRW1 IS A SINGLE POLE TWO THROW, HIGH POWER (2 WATTS) REFLECTIVE T/R SWITCH MODULE WITH VERY LOW INSERTION LOSS, HIGH ISOLATION, LOW VIDEO TRANSIENT AND WITH INTEGRAL TTL DRIVER, DESIGNED FOR 5.6 TO 6.0 GHz FREQUENCY RANGE OPERATION.

## SPECIFICATIONS

- FREQUENCY RANGE: ..... 5.6 TO 6.0 GHz
- INSERTION LOSS: ..... 2.0 dB MAXIMUM, 1.5 dB TYPICAL
- ISOLATION: ..... 70 dB MINIMUM
- VSWR (ALL PORTS): ..... 2.0:1 MAXIMUM, 1.5:1 TYPICAL
- SPEED: ..... TURN ON/OFF 300 nSEC MAXIMUM, 200 nSEC TYPICAL
- CONTROL: ..... SINGLE CONTROL TTL TOGGLE  
 LOGIC "0" = J1-J2 ON (TRANSMIT)  
 LOGIC "1" = J1-J3 ON (RECEIVE)
- J1: ..... COMMON PORT
- J2: ..... TRANSMIT PORT
- J3: ..... RECEIVE PORT
- POWER HANDLING: ..... 1.5 WATT MINIMUM, 2.0 WATTS TYPICAL  
 (J2 TRANSMIT ONLY)  
 100 mWATTS (J3 RECEIVE ONLY)
- POWER SUPPLY: ..... +5V @ 100 mA MAXIMUM  
 -12V @ 75 mA MAXIMUM
- RECEIVE ARM (J3): ..... INTERNALLY TERMINATED
- TRANSMIT ARM (J2): ..... REFLECTIVE

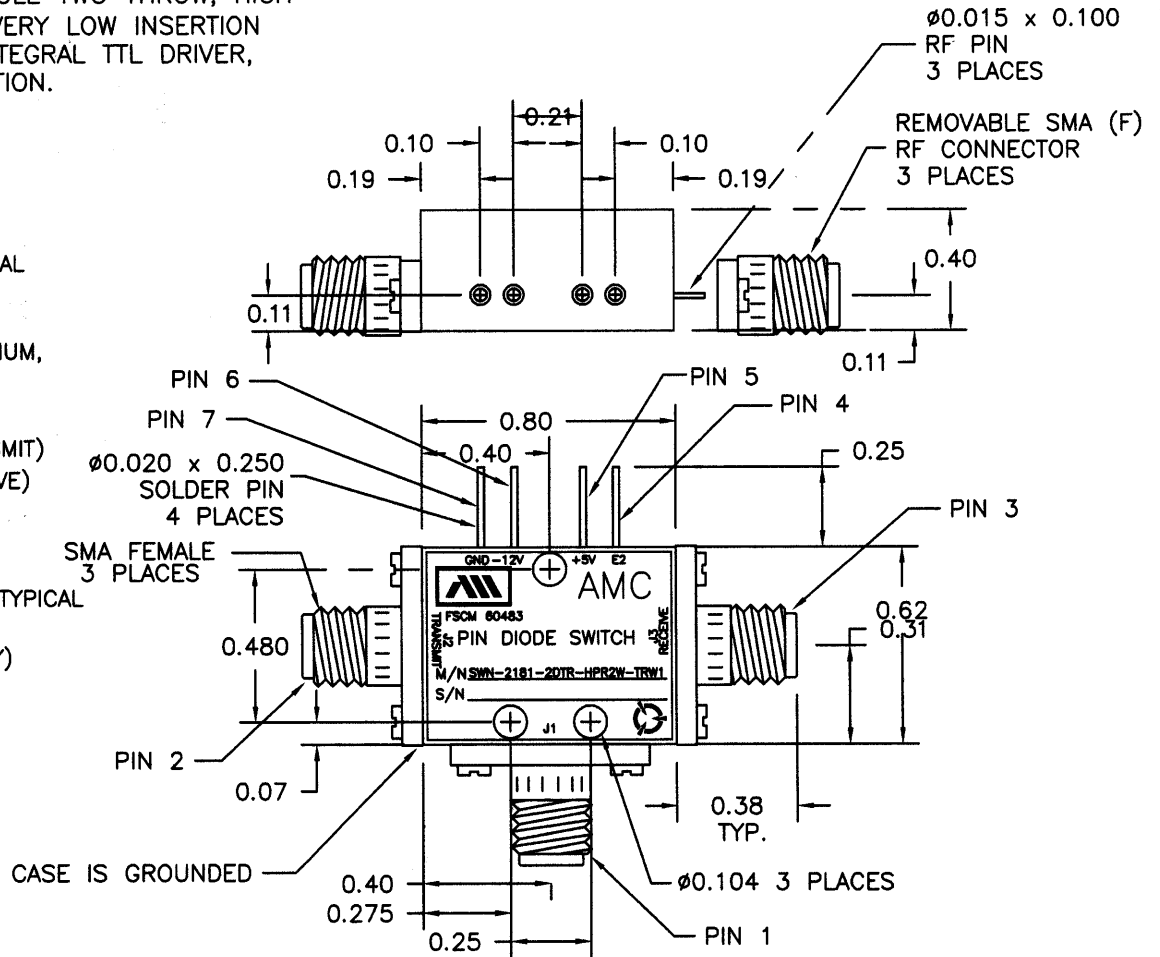


## ENVIRONMENTAL RATINGS

- TEMPERATURE: ..... -55°C TO +85°C (OPERATING)  
 -65°C TO +125°C (STORAGE)
- HUMIDITY: ..... MIL-STD-202F, METHOD 103B COND. B
- SHOCK: ..... MIL-STD-202F, METHOD 213B COND. B
- VIBRATION: ..... MIL-STD-202F, METHOD 204D COND. B
- ALTITUDE: ..... MIL-STD-202F, METHOD 105C COND. B
- TEMPERATURE CYCLE: ..... MIL-STD-202F, METHOD 107D COND. A

NOTE: SPECIFICATIONS WILL VARY OVER OPERATING TEMPERATURE  
 NOTE: THE ABOVE SPECIFICATIONS ARE SUBJECT TO CHANGE OR REVISION

REVISIONS				
ZONE	REV.	DESCRIPTION	DATE	APPROVED
	-	ORIGINAL JOB# 810213E	06/05/98	ESC



## AMERICAN MICROWAVE CORPORATION

7311-G GROVE ROAD  
 FREDERICK, MARYLAND 21704 USA  
 TEL: 301-662-4700 FAX: 301-662-4938  
 WEBSITE: [www.americamicrowavecorp.com](http://www.americamicrowavecorp.com)  
 E-MAIL: [sales@americamicrowavecorp.com](mailto:sales@americamicrowavecorp.com)  
 ISO 9001:2000 CERTIFIED



APPROVALS		DATE	TITLE		
DRAWN WYP		06/05/98	PRODUCT FEATURE		
REDRAWN EFB		10/06/04	SWN-218-2DTR-HPR2W-TRW1		
ISSUED LA		10/08/04	SOLID STATE SWITCH		
SIZE	FSCM NO.	DWG NO.	REV.		
A	60483	100-4428-3	-		
SCALE N:S			SHEET 1 OF 3		

ALL DIMENSIONS ARE IN INCHES  
 TOLERANCES:  
 X.XX ±0.020  
 X.XXX ±0.010